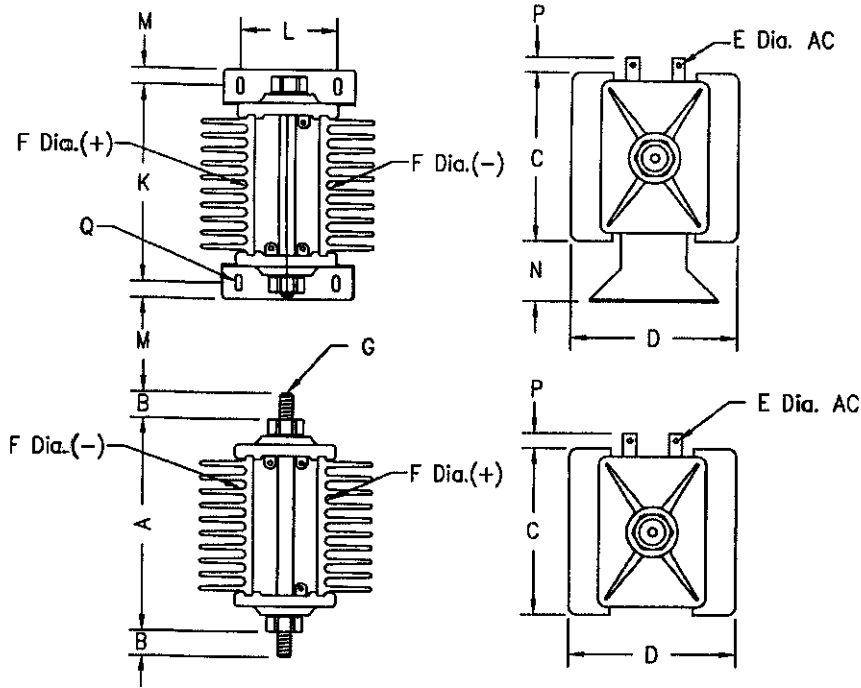


Rectipoint Silicon Power Rectifiers



| Dimensions | | | | |
|------------|---------------|--------|---------------|-------|
| X Type | | Y Type | | |
| Inches | Millimeters | Inches | Millimeters | |
| A | 4.31 | 109.4 | 4.0 | 101.6 |
| B | .625 | 15.87 | 0.5 | 12.7 |
| C | 4.0 | 101.6 | 2.5 | 63.5 |
| D | 3.12 | 79.2 | 2.56 | 65.0 |
| E | .201 | 5.10 | 1.77 | 4.495 |
| F | .265 | 6.731 | .198 | 5.029 |
| G | 3/8-16UNC-3A | | 5/16-18UNC-3A | |
| K | 3.93 | 15.87 | 3.75 | 95.2 |
| L | 1.5 | 101.6 | 1.25 | 31.7 |
| M | .281 | 79.2 | .281 | 7.137 |
| N | .875 | 5.10 | .937 | 23.79 |
| P | .625 | 6.731 | .625 | 15.87 |
| Q | 3/16x5/16 --- | | 3/16x5/16 --- | |

| Microsemi Catalog Number | Type of Circuit Rated Continuous DC Amperes at 40°C. Ambient | |
|--------------------------|--|-----------------------|
| | Natural Convection | Forced Air at 800 LFM |
| Y21**B1*1 | 14 | 26 |
| Y21**Z1*1 | 22 | 42 |
| X21**B1*1 | 22 | 40 |
| X21**Z1*1 | 28 | 55 |
| X34**B1*1 | 35 | 68 |
| X34**Z1*1 | 55 | 100 |
| X37**B1*1 | 43 | 80 |
| X37**Z1*1 | 65 | 120 |

**—PRV specifications from 02=200V to 160=1600V
 *—specify N for Stud or B for bracket mount
 A Surge Suppressor may be specified by adding S at the end of the part number

- Complete bridge with heatsinks — no assembly required
- Available in single or three phase bridge assemblies
- Available with bracket or stud mounting
- Single cycle surge current ratings
 X, Y21 250 Amps
 X34 800 Amps
 X37 1500 Amps
- Blocking voltages to 1600V

